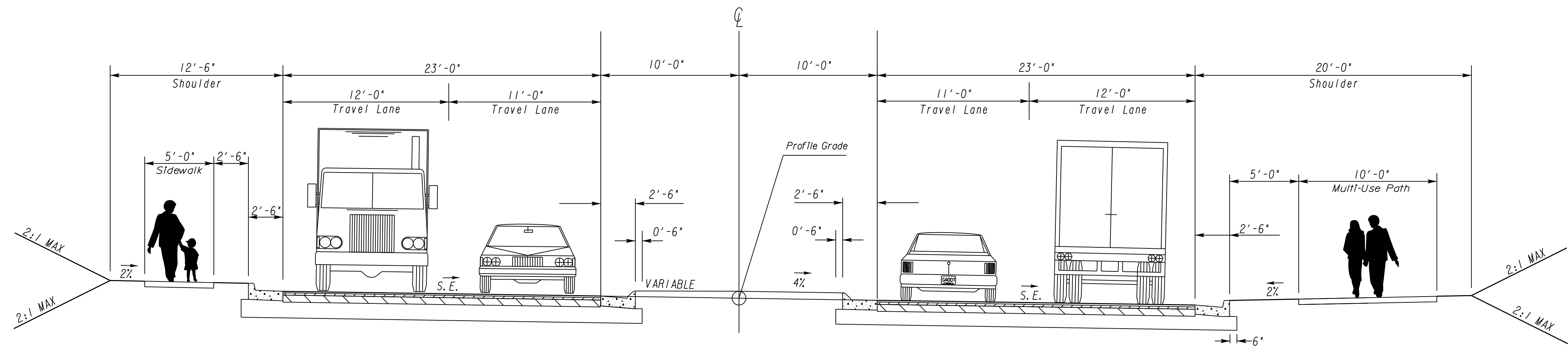


TS 01  
ROCK QUARRY ROAD WIDENING  
TANGENT SECTION



TS 02  
ROCK QUARRY ROAD WIDENING  
SUPERELEVATED SECTION

NO.	DATE	DESCRIPTION

CHECKED:	DATE:	DRAWING No.
BACKCHECKED:	DATE:	05-0001
CORRECTED:	DATE:	
VERIFIED:	DATE:	